



Technical Data Sheet.

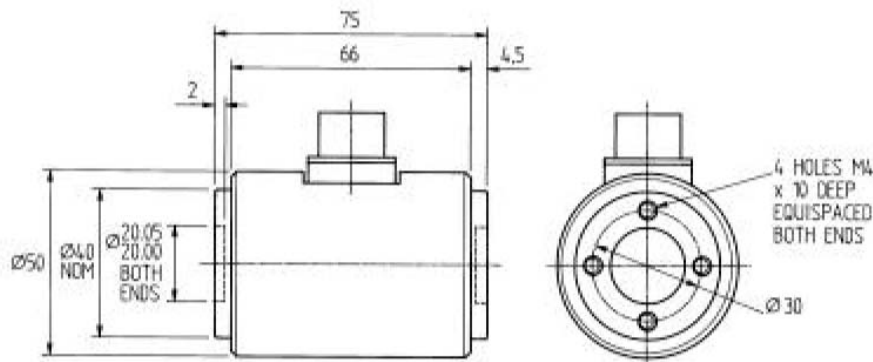
TSF. Torque Transducer. (1Nm to 10Nm Capacity).



The TSF Torque Transducer is designed for accurate low level measurements.

The axial beam design increases the bend stiffness, which minimises any external effects.

Dimensions.



MODEL No	RANGE
TSF-CLT-1	1 Nm
TSF-CLT-2	2 Nm
TSF-CLT-5	5 Nm
TSF-CLT-10	10 Nm

(All dimensions in mm)

Specifications.

Nominal Sensitivity	1.5mV/V
Overload Capacity	150% F.S
Torsional Deflection	<1°
Non-Linearity	+/- 0.1% F.S
Repeatability	+/- 0.05% F.S
Hysteresis	+/- 0.1% F.S
Bridge Supply	10V dc