

# DECADE MCC Series

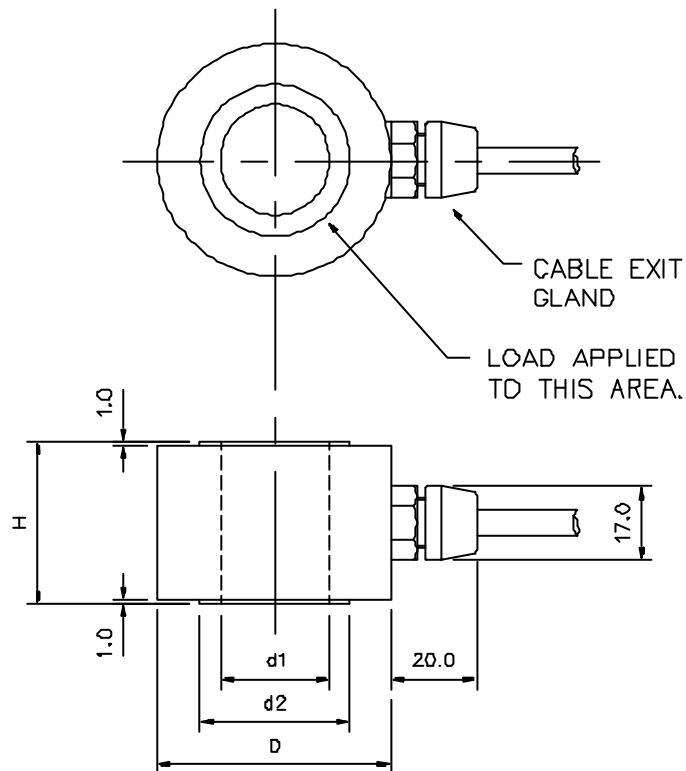
## Load Cell Data Sheet - 1 to 20 Tons Capacity



Decade MCC Series Compression Load Cell

- Decade MCC Series load cells designed for industrial measurement applications.
- Cylindrical Compression type for fitting to rams, hydraulic presses, test rigs and press assembly tooling.
- For measuring compressive loads.
- Ranges from 1 to 20 Tons capacity.
- Available in three physical sizes.

### Mechanical Details



Load Cell Type	Dimensions (mm)				Available Capacities (Tons)
	d1	d2	D	H	
MCC-A	16.0	25.0	40.0	25.0	1,2,3,5
MCC-B	25.4	35.0	54.0	38.0	2,3,4,5,10
MCC-C	25.4	48.0	70.0	38.0	8,10,15,20

Table 1

