

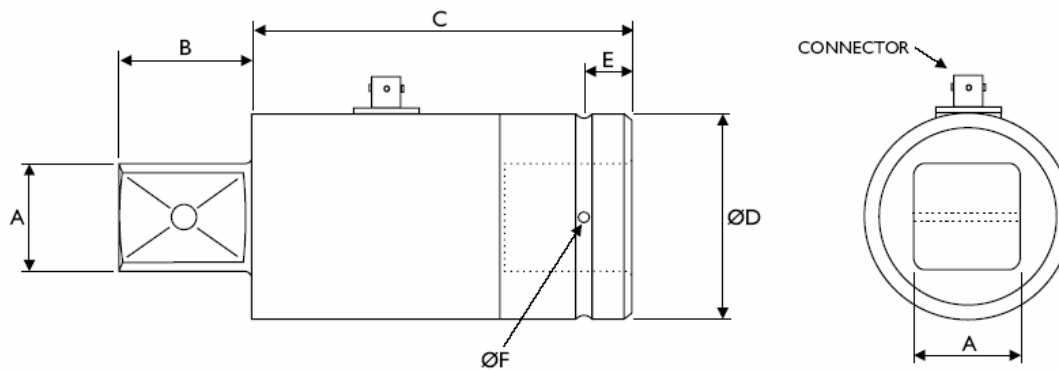


Technical Data Sheet.

DTD. Torque Transducer. (10Nm to 10kNm Capacity).

The DTD Static / Reaction Torque Transducer is particularly suited to measuring direct torque.

Physical Dimensions



RANGE (Nm)	A	B	C	ØD	E	ØF	Square Drive
10	6.3	7.5	48	25	N/A	N/A	0.250 inch
20	6.3	7.5	48	25	N/A	N/A	0.250 inch
50	10	11.5	58	35	N/A	N/A	0.375 inch
100	12.5	15.5	58	35	7.9	5.6	0.500 inch
500	19	23	79	54	10.2	6	0.750 inch
1000	25	28	79	54	15	6.5	1.000 inch
5000	25	28	122	54	15	8	1.000 inch
10,000	38	29	158	100	16	9	1.500 inch
20,000	38	29	175	120	16	10	1.500 inch
50,000	63.5	55	200	120	38.1	12	2.500 inch

CHARACTERISTICS	DTD-S	UNITS
Range:	10, 20, 50, 100, 500, 1000, 5000, 10000, 20000, 50000	Nm
Excitation Voltage:	10 (15 Max.)	VDC or VAC
Sensitivity:	1.0	mV/V
Overload Protection:	150	±%FSO
Non-Linearity:	<0.25	±%FSO
Repeatability:	<0.15	±%FSO
Hysteresis:	<0.25	%FSO
Temperature Range	Operating: -20 to +80	°C
	Compensated: +20 to +70	°C
Temperature Effects	On Zero: <0.010	±%FSO/°C
	On Output: <0.010	±Reading/°C
Bridge Resistance:	700 nominal	ohms
Drive Size:	See Dimension Table Above	
Environmental Protection:	IP65	