



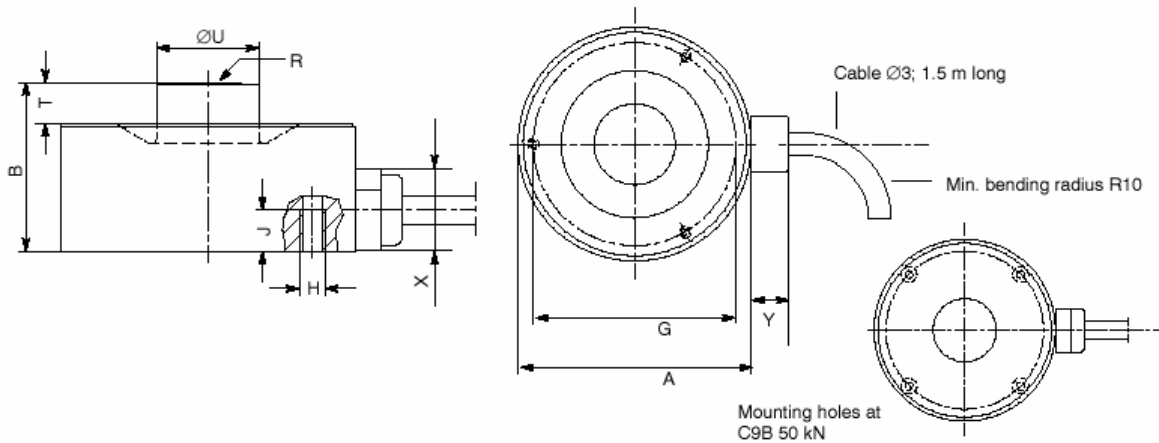
Technical Data Sheet.

C9B. Compression Load Cells. (50N to 50kN Capacity).

The C9B Load Cell is an ultra-compact load cell with capacities ranging from 50N up to 50kN. It can be used for measuring compressive forces in industrial assembly and testing machines.



Physical Dimensions



Nominal (rated) force C9B	A _{±0.1}	B	G _{±0.1}	H	J	R	T	U _{±0.1}	X	Y
NEW 50 N – 200N	26	15.2	20.5	3xM3	6	20	2.7	5.5	approx..10.5	approx..5.5
0.5 N...20 kN	26	13	22.75	3xM2	3.5	40	1	8	approx. 10.5	approx. 5.5
50 kN	46	28	40	4xM4	6	80	8	16	approx. 10.5	approx. 5.5